

TECHNICAL DATA	Truck model	CC 35000 RS
-----------------------	--------------------	--------------------

Lifting data		
Lift capacity at load centre L1, rated - at max height, top lift	kg (lbs)	35000 - 35000 (77160-77160)
Lift capacity at load centre L1, rated - max height, bottom lift	kg (lbs)	39000 - 35000 (85978-85978)
Lift capacity at load centre L2, rated - max height	kg (lbs)	15500 - 15500 (34171-34171)
Lift speed, unloaded - at rated load ¹⁾	m/s	0,21-0,20
Lowering speed (adjustable), unloaded - at rated load	m/s	0,21-0,25

Driving data		
Speed forward, unloaded - at rated load	km/h	24-20
Speed reverse, unloaded - at rated load	km/h	24-20
Incline, driving ability - at rated load at 2 km/h	%	18
Incline, driving ability - at rated load at 0 km/h	%	28
Towing ability	kN	320

Weight of truck		
Service weight	kg (lbs)	57000 (125665)
Axle pressure front at load centre L1, unloaded - at rated load	kg (lbs)	29250-10175 (64484-22432)
Axle pressure front at load centre L2, unloaded - at rated load	kg (lbs)	34850-79250 (76829-17485)
Axle pressure rear at load centre L1, unloaded - at rated load	kg (lbs)	19900-8400 (43871-18530)
Axle pressure rear at load centre L2, unloaded - at rated load	kg (lbs)	14300-6400 (31525-14120)

Engine		
Make - type designation		Volvo - TWD 1030 ME
Fuel - type of engine		Diesel - 4 stroke
Power ISO 3046 - at speed	kW (hp) - rpm	212 (288) - 2200
Torque ISO 3046 - at speed	Nm - rpm	1260 - 1200
No. of cylinders - compression		6 - 18 : 1
Alternator, type - power	W	AC - 1540
Starting battery, voltage capacity	V - Ah	2x12 - 135
Fuel consumption, normal driving	l/h	14.16

Transmission		
Gearbox, make - type designation		Clark - 15.5HR 34432
Clutch, type		Torque converter
Gearbox, type		Powershift
No. of gears, forward - reverse		4 - 4
Drive axle, - type		Rockwell - A19 3200D1434
		with hub reduction, wide track
Gearing ratio, gearbox : hub		5,81/2,42/1,38/0,78 : 31,71

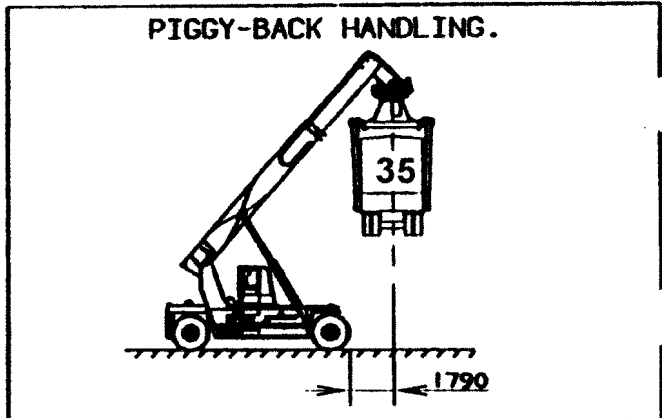
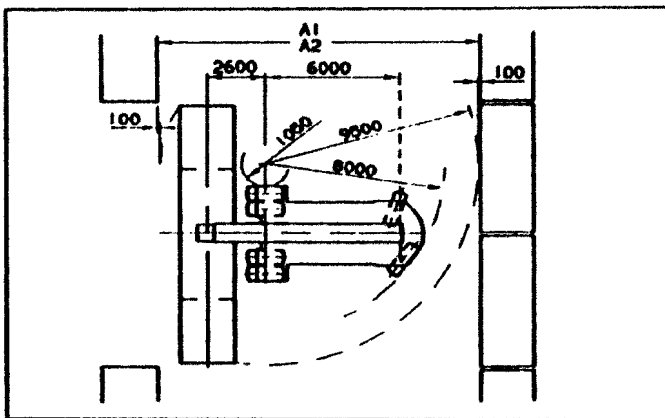
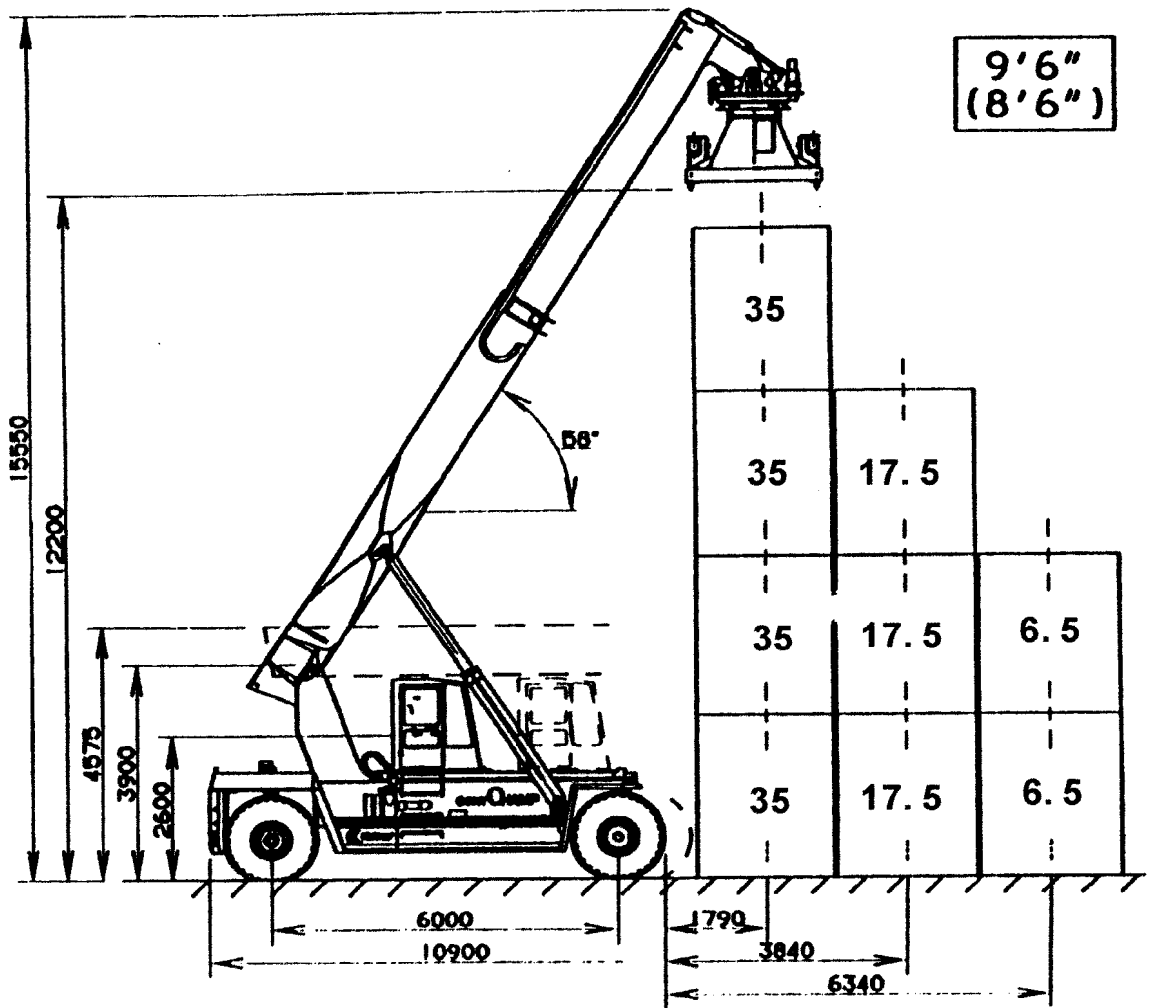
Wheels		
Wheels, front and rear		Pneumatic
Wheel dimensions, front and rear	ins	16.0 x25/18,00x25
Pressure, front and rear	MPa	0,9

Steering and brake system		
Steering system		Servo assisted
Driving brake system, type - affected wheels		Hydraulic - drive wheels
Parking brake system, type - affected wheels		Spring brake - drive wheels

Liquid capacities		
Fuel	l	400
Cooling system	l	46
Hydraulic system	l	600
Drive axle	l	67
Gearbox	l	42
Engine	l	21

Hydraulic oil pressure	MPa	18,5
------------------------	-----	------

¹⁾ at 75 % of rated load



Dimensions			
A1	Min aisle for 90° stacking 20' container	mm	12050
A2	Min aisle for 90° stacking 40' container	mm	14500
B	Width of truck	mm	4450
V	Width across spreader, min.	mm	6060
V1	Width across spreader, max.	mm	12192
V1	Sideshift, max.	mm	± 800
B	Swivelling angle	°	+ 185/-95
	Ground clearance, centre of wheel base	mm	475

The design and materials specification are subject to alteration without prior notice.